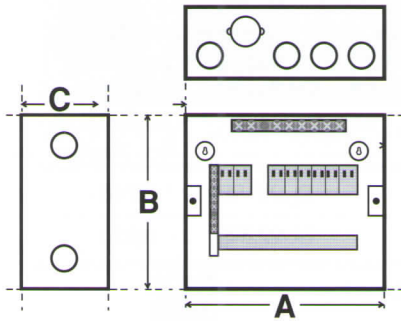


Enclosure Dimensions

ขนาดของผลิตภัณฑ์ ตู้ควบคุมไฟ

Classic Consumer Units & Load Center

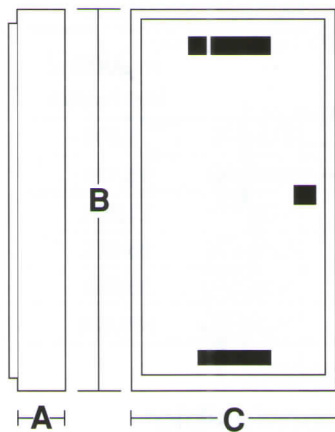
Square D Consumer Unit : Classic



Dimensions (mm)

No. of Ways	Cat. No.	Dimensions (mm)		
		A	B	C
4	SDCS14	238.33	206	68.2
6	SDCS16	238.33	206	68.2
10	SDCS110	314.53	206	68.2
14	SDCS114	390.73	206	68.2
18	SDCS118	516.93	206	68.2

Square D Load Center : Classic

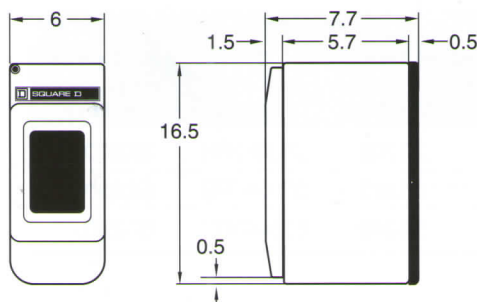


Dimensions (mm)

No. of Ways	Main LUG Type	Dimensions (mm)			Main LUG Type	Dimensions (mm)		
		A	B	C		A	B	C
12	QO3-100L12G/SN	130	455	381	QO3-250L12G/SN	130	455	381
18	QO3-100L18G/SN	130	455	381	QO3-250L18G/SN	130	605	381
24	QO3-100L24G/SN	130	605	381	QO3-250L24G/SN	130	605	381
30	QO3-100L30G/SN	130	605	381	QO3-250L30G/SN	130	605	381
36	QO3-100L36G/SN	130	605	381	QO3-250L36G/SN	130	755	381
42	QO3-100L42G/SN	130	755	381	QO3-250L42G/SN	130	755	381
48	-	-	-	-	QO3-250L48G/SN	130	905	381

No. of Ways	Main Breaker Type	Dimensions (mm)			Main Breaker Type	Dimensions (mm)		
		A	B	C		A	B	C
12	QO3-100EZ12G/SN	130	455	381	QO3-250EZ12G/SN	130	605	381
18	QO3-100EZ18G/SN	130	605	381	QO3-250EZ18G/SN	130	605	381
24	QO3-100EZ24G/SN	130	605	381	QO3-250EZ24G/SN	130	755	381
30	QO3-100EZ30G/SN	130	605	381	QO3-250EZ30G/SN	130	755	381
36	QO3-100EZ36G/SN	130	755	381	QO3-250EZ36G/SN	130	905	381
42	QO3-100EZ42G/SN	130	755	381	QO3-250EZ42G/SN	130	905	381
48	-	-	-	-	QO3-250EZ48G/SN	130	905	381

VS Box

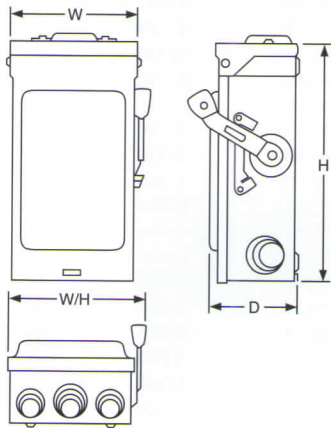


Dimensions (cm)

Safety Switch Dimensions

ขนาดของผลิตภัณฑ์ เซฟตี้ สวิตช์ (แบบติดตั้งพิวส์ได้ / แบบไม่มีพิวส์)

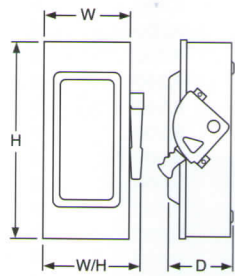
General duty & heavy duty fusable type/non-fusable



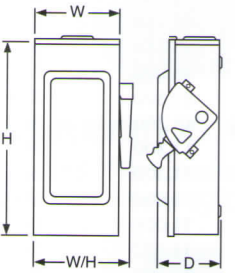
Approximate Dimensions

Cat. No.	Series	H		W		D		W/H	
		in.	mm	in.	mm	in.	mm	in.	mm
D221N	E3	9.25	235	6.75	171	7.25	184	3.63	92
D221NRB	E3	9.63	245	7.25	184	7.75	197	3.75	95
D222N	F1	14.63	372	6.50	165	7.45	189	4.88	124
D222NRB	F1	14.88	378	6.63	168	7.45	189	4.88	124
D223N	F3	17.50	445	8.50	216	10.50	267	6.50	165
D223NRB	F3	17.50	445	8.50	216	10.50	267	6.50	165
D224N	F1	29.00	737	17.25	438	19.00	483	8.25	210
D224NRB	F1	29.25	743	17.25	438	19.00	483	8.25	210
D225N	E3	45.12	1146	24.00	610	24.88	632	8.88	226
D225NR	E1	30.63	778	21.38	543	22.25	565	10.13	257

Cat. No.	Series	H		W		D		W/H	
		in.	mm	in.	mm	in.	mm	in.	mm
DU221RB	E2	9.63	245	7.25	184	7.75	197	3.75	95
DU222RB	E1	9.63	245	7.25	184	7.75	197	3.75	95
DU321	E2	9.25	235	6.75	171	7.25	184	3.63	92
DU321RB	E2	9.63	245	7.25	184	7.75	197	3.75	95
DU322	E1	9.25	235	6.75	171	7.25	184	3.63	92
DU322RB	E1	9.63	245	7.25	184	7.75	197	3.75	95
DU323	F3	17.50	445	8.50	216	10.50	267	6.50	165
DU323RB	F3	17.50	445	8.50	216	10.50	267	6.50	165
DU324	F1	29.00	737	17.25	438	19.00	483	8.25	210
DU324RB	F1	29.25	743	17.25	438	19.00	483	8.25	210



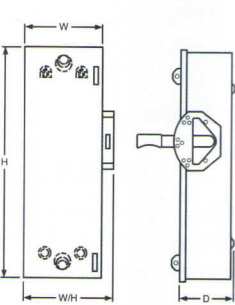
Typical NEMA 1



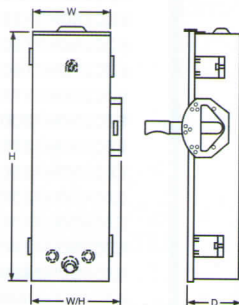
Typical NEMA 3R

Cat. No.	Series	H		W		D		W/H	
		in.	mm	in.	mm	in.	mm	in.	mm
H361, N	F5	14.60	371	6.50	165	4.88	124	7.55	192
H361NRB, RB	F5	14.88	378	6.63	168	4.88	124	7.55	192
H362, N	F5	17.50	445	9.00	229	6.38	162	10.50	267
H362NRB, RB	F5	17.50	445	9.00	229	6.38	162	10.50	267
H363, N	F5	21.25	540	8.50	216	6.38	162	10.50	267
H363NRB, RB	F5	21.25	540	8.50	216	6.38	162	10.50	267
H364, N	F5	29.00	737	17.13	435	8.25	210	18.50	470
H364RB, NRB	F5	29.25	743	17.25	438	8.50	216	18.63	473
H365, N	E4	50.25	1276	27.63	702	10.13	257	27.63	702
H365R, NR	E4	50.31	1278	27.88	708	10.13	257	27.88	708
H366, N	E4	50.25	1276	27.63	702	10.13	257	27.63	702
H366NR, R	E4	50.31	1278	27.88	708	10.13	257	27.88	708
H367, N	E4	69.13	1756	36.62	930	17.75	451	36.62	930
H367NR, R	E4	69.13	1756	36.62	930	17.75	451	36.62	930

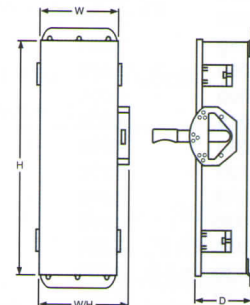
Cat. No.	Series	H		W		D		W/H	
		in.	mm	in.	mm	in.	mm	in.	mm
H368, N	E4	69.13	1756	36.62	930	17.75	451	36.62	930
H368NR, R	E4	69.13	1756	36.62	930	17.75	451	36.62	930
HU361	F5	14.60	371	6.50	165	4.88	124	7.55	192
HU361RB	F5	14.88	378	6.63	168	4.88	124	7.55	192
HU362	F5	17.50	445	9.00	229	6.38	162	10.50	267
HU362RB	F5	17.50	445	9.00	229	6.38	162	10.50	267
HU363	F5	21.25	540	8.50	216	6.38	162	10.50	267
HU363RB	F5	21.25	540	8.50	216	6.38	162	10.50	267
HU364	F5	29.00	737	17.13	435	8.25	210	18.50	470
HU364RB	F5	29.25	743	17.25	438	8.50	216	18.63	473
HU365	E4	50.25	1276	27.63	702	10.13	257	27.63	702
HU365R	E4	50.31	1278	27.88	708	10.13	257	27.88	708
HU366	E4	50.25	1276	27.63	702	10.13	257	27.63	702
HU366R	E4	50.31	1278	27.88	708	10.13	257	27.88	708



NEMA 1

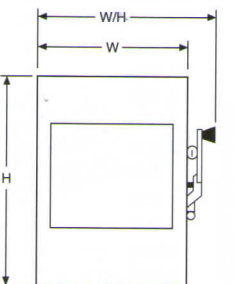


NEMA 3R

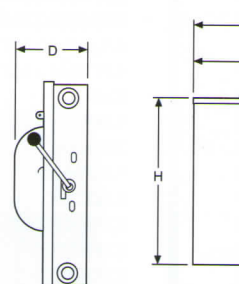


NEMA 4, 4X, 5 and 12

Cat. No.	Series	H		W		D		W/H	
		in.	mm	in.	mm	in.	mm	in.	mm
DTU362	F5	29.94	760	10.25	260	11.96	304	6.93	176
DTU362AWK	F6	29.94	760	10.25	260	11.96	304	6.93	176
DTU362DS	F6	30.26	769	10.25	260	11.50	292	7.12	181
DTU362RB	F5	30.50	775	10.25	260	11.96	304	6.93	176
DTU363	F5	29.94	760	10.25	260	11.96	304	6.93	176
DTU363AWK	F6	29.94	760	10.25	260	11.96	304	6.93	176
DTU363DS	F6	30.26	769	10.25	260	11.50	292	7.12	181
DTU363RB	F5	30.50	775	10.25	260	11.96	304	6.93	176



NEMA 1



DTU-200 A
NEMA 3R

Cat. No.	Series	H		W		D		W/H	
		in.	mm	in.	mm	in.	mm	in.	mm
82344	E2	30.88	784	20.00	508	23.88	607	11.75	298
82344RB	E1	32.50	826	20.63	524	24.00	610	10.63	270