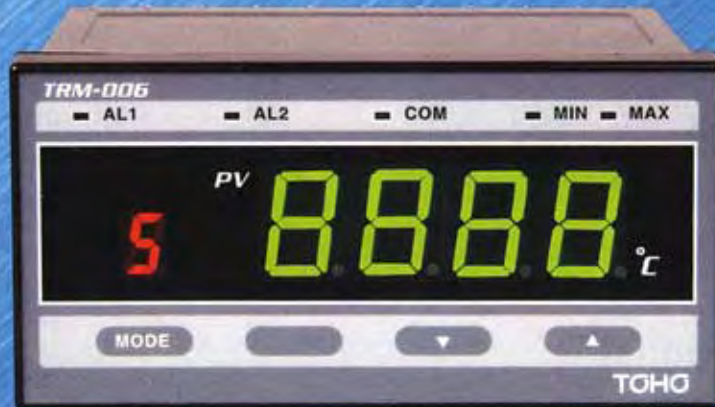




# DIGITAL INDICATOR TRM-006



## TRM-006 (DIN 48x96 SIZE)

Most advance digital indicator with new function

### ■Main Features

- Many kind of input selectable (8 Termocouple, 2 R.T.D. Current Voltage)
- 4 bright LED digits 15mm  
Clearly readable from a distance even in large bright light.
- Peak and bottom holed function  
Minimum value of PV(measuring value) is memorised after electric power is at "ON" condition, and functions of Peak Hold/Bottom Hold are provided for necessary confirmation to be required.

### ●Digital PV filter

If electric noise is come in to the input, its noise effect is reduces. And digital PV filter is provided to make the response delay for rapid change of the input.

- Optional functions ensure a wide range of applications RS-485 communication, 2 Alarm setting, Transfer output of 4 kinds, and 5V or 12VDC for sensor.

### ■Front panel



PV	Process value indication
Character	Character indication for display or setting
AL1	Alarm 1 for low or high limit
AL2	Alarm 2 for low or high limit
COM	Showing communication operate time
MAX	Showing of peak value
MIN	Showing of bottom value
Mode Key	Call mode key character
Shift Key	Using switchover to parameter mode
▲ ▼	Up down key for setting of alarm value and change of selection of other functions

### ■Standard Specifications

PV Input	Kind of input	Thermocouple	K, J, E, T, R, S, N, W5Re/W26Re	
		R.T.D	Pt100, JPt100	
		Current	4~20mADC	
		Voltage	0~5V, 0~10V, 0~10mV, 1~5VDC	
	Sampling time	0.5Sec		
	Complement function	PV correct, Digital PV filter, PV hold		
	Input resistance	Thermocouple	1M ohm min from +side on terminal	
		Current	250 ohm min from A side on terminal	
		Voltage	500k ohm min(1-5V, 0-1V, 0-5VDC) 1M ohm min from + side on terminal(0-10V, 0-10mVDC)	
	Bias current	Thermocouple	0.18µsA	
		R.T.D	0.2mA	
		Current	9nA	
		Voltage	±9nA max(1-5V, 0-1V, 0-5VDC) 0.18µsA(0-10mV)	
	External resistance	Thermocouple	100 ohm max including sensor	
		R.T.D	5 ohm max for on wire	
	Burnout	Thermocouple	Up scale	
R.T.D		Up scale		
Current		PV Input		
Voltage		Input "0" is 0-1V, 0-10V, 0-5VDC / Down scale is 0-5VDC / Up scale is 0-10mV		
Digital PV filter	Setting range	0 to 99 sec (Time constant filter is OFF at 0). Unit : sec		
PV holding	Selectable 4 kinds	Non holding, Peak holding, Bottom holding, Peak and bottom holding.		

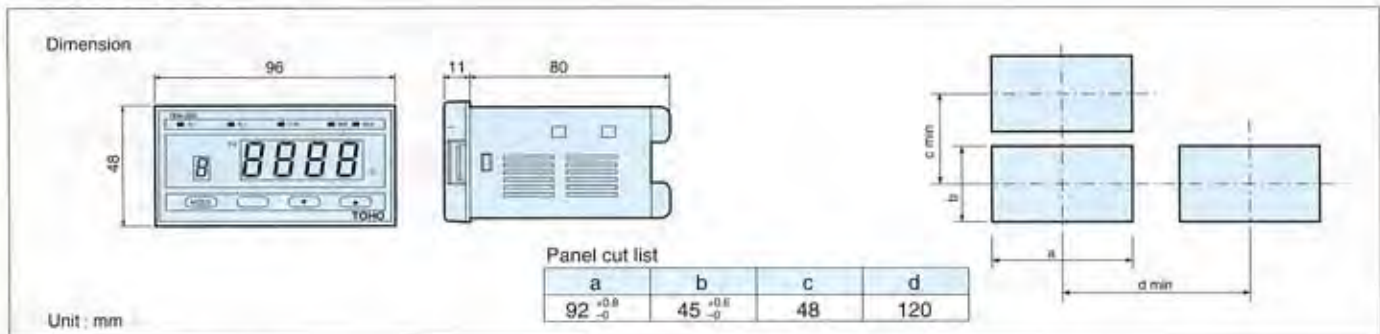


## Ordering Information

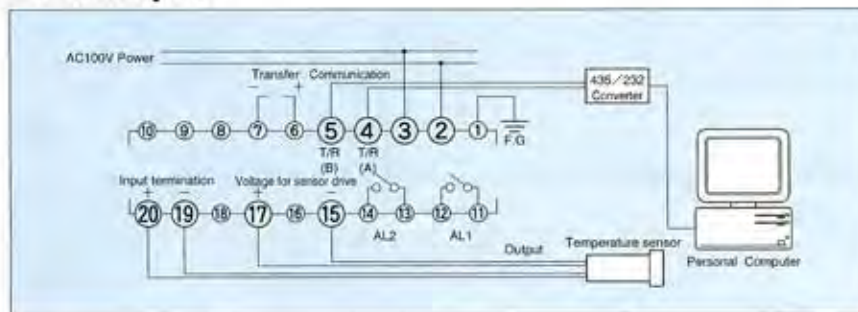
TRM - 006 -  -  -

Input	0	Thermocouple [K, J, E, T, R, S, N, W5Re/W26Re]	multiple input switchable
	1	R.T.D. Pt100 DIN. JPt100	multiple input switchable
	2	Voltage 1~5V	
	3	Current 4~20mA	
	4	Voltage 0~1V	
	5	Voltage 0~10V	
	6	Voltage 0~10mV	
	7	Voltage 0~5V	
Options	A	AL1 Alarm relay	L Voltage for sensor drive 5V/DC
A selection of option is maximum 5 digits but when "L" or "Q" is selected on option, you cannot select "M" or "F", "G", "H", "I".	B	AL2 Alarm relay	Q Voltage for sensor drive 12V/DC
	C	Buzzer	
	F	Transfer output : 1~5V.	
	G	Transfer output : 0~10V.	
	H	Transfer output : 0~10mV.	
	I	Transfer output : 4~20mA.	
	M	Communication RS-485.	
		24	AC / DC-24V (Special factory option)

## Panel cut size



## Example



## Installing panel

